



PROTECTING LIFE & PROPERTY



Intumescent Pipe Collars & Wraps

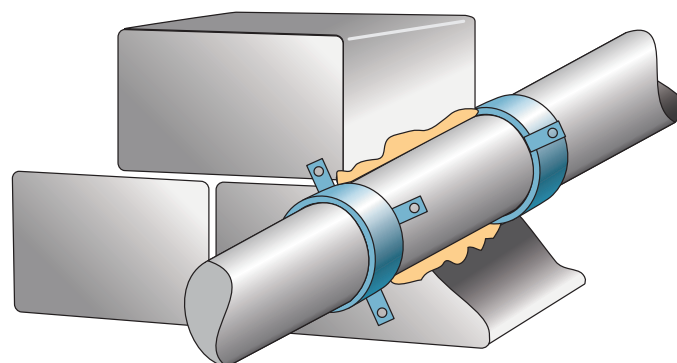
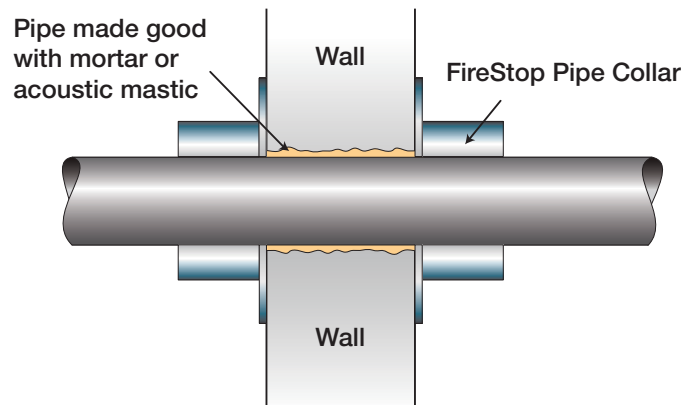


Made in the UK · Distributed Globally





Intumescent Pipe Collars



Fit Firestop Pipe Collars to both sides of the wall to prevent fire spread from both directions

Description

Firestop Pipe Collars are primarily designed for retro-fit to plastic piping or trunking where it passes through fire resistant structures such as walls or floors.

In the event of a fire, the collars' intumescent core rapidly expands to crush the pipe or trunking, which seals of the area and maintains the fire integrity of the structural element.

Features & Benefits

- Stainless steel outer casing
- Tab closing device and welded lugs means collars are quick and easy to install
- Intumescent material is unaffected by water, robust, 'non-flaking' and difficult to tear.

Testing

All pipe collars are tested to BS476 part 20 1987, 4 hour rated in a vertical/horizontal application.

Key: symbols for product feature qualities



t 01305 257 428

e sales@firestopltd.co.uk

w firestopltd.co.uk



Intumescent Pipe Collars

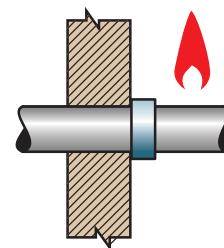
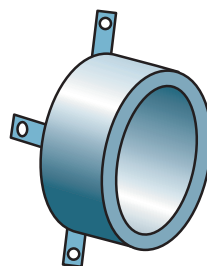


Fig. 1

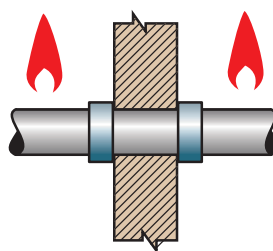


Fig. 2

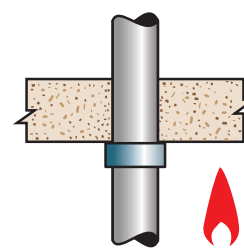


Fig. 3

Installation for surface mounting

1. Ensure substrate around pipe is flat and free from obstructions - if necessary, make good by using Firestop intumescent acrylic sealant.
2. Position collar around pipe.
3. Slide tab through slide in pipe collar and fold back 180° to secure.
4. Secure pipe collar by drilling through fixing lugs and using 50 x 8mm masonry screws or 50mm (minimum) expanding metallic bolts.

Do not use fixings which rely on plastic components for grip.

Wall penetrations

Always fix a pipe collar on the side of the wall at risk from re attack. (see fig.1)

Fix a pipe collar on both sides of a wall when direction of the fire risk is not known. (see fig.2)

Floor/ceiling penetrations

Fix a pipe collar to the underside of the construction only. (see fig.3)

IMPORTANT NOTES

These instructions are supplied for guidance only and are given in good faith but without guarantee or liability. It is the installer's responsibility to ascertain suitability of use in each application.

Firestop Intumescent Pipe Collars

Code	Description	Size (MM)	Fire Rating	Finish
FS1508	Intumescent Pipe Collar	55mm	4 hour rated	Stainless Steel
FS1509	Intumescent Pipe Collar	82mm	4 hour rated	Stainless Steel
FS1510	Intumescent Pipe Collar	110mm	4 hour rated	Stainless Steel
FS1511	Intumescent Pipe Collar	160mm	4 hour rated	Stainless Steel

Bespoke sizes available to order, please contact us



01305 257 428



sales@firestopltd.co.uk



firestopltd.co.uk



Intumescent Pipe Wraps



Description

Firestop Intumescent Pipe Wraps are designed for installation around plastic piping or trunking passing through fire resistant structures such as walls and doors. During the primary construction phase of a product, i.e. casting floors, an additional tolerance is built to enable the fitting of a Pipe Wrap once the mechanical and electrical services have been installed.

In the event of a fire the contained intumescent material rapidly expands and crushes the pipe or trunking, sealing off this area and maintaining the integrity of the structural elements through which it passes.

Features and Benefits

- Wraps are easy to place around pipes and trunking to slide into place
- Intumescent material is unaffected by water, robust, 'non-flaking' and difficult to tear.

Testing

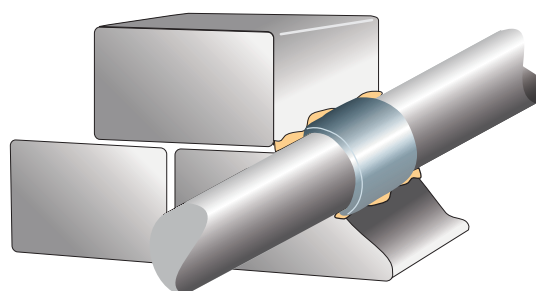
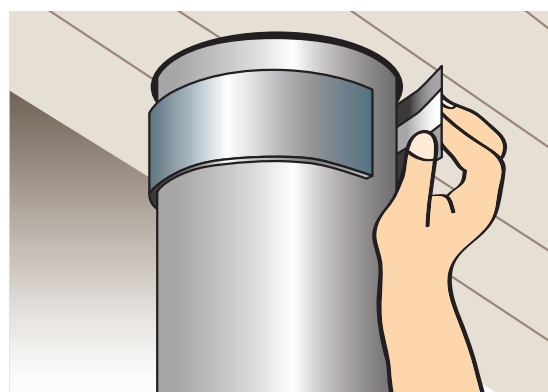
All pipe wraps are tested to BS476 part 20 1987. 4 hour rated in a vertical/horizontal application.



Installation

Installation for surface mounting

1. Place the wrap around the pipe, leaving it in its plastic wrapper. Pull tight and secure the self-adhesive tab.
2. Position the pipe wrap to fit flush within pre-cast floors or brickwork.
3. Seal around exposed perimeters of the pipe wrap using Firestop Intumescent Sealant.



Firestop Intumescent Pipe Wraps

Code	Description	Size (MM)	Fire Rating	Finish
FS1500	Pipe Wrap	55mm	4 hour rated	Grey
FS1504	Pipe Wrap	82mm	4 hour rated	Grey
FS1502	Pipe Wrap	110mm	4 hour rated	Grey
FS1503	Pipe Wrap	160mm	4 hour rated	Grey

Bespoke sizes available to order, please contact us



01305 257 428



sales@firestopltd.co.uk



firestopltd.co.uk



PROTECTING LIFE & PROPERTY

Firestop Manufacturing Limited
4 - 6 Wyvern Buildings
Grove Trading Estate
Dorchester
Dorset DT1 1ST



01305 257 428



sales@firestopltd.co.uk



firestopltd.co.uk